

# タイ・フレックス® (TF-80W) NS形

FCD製 伸縮可とう管



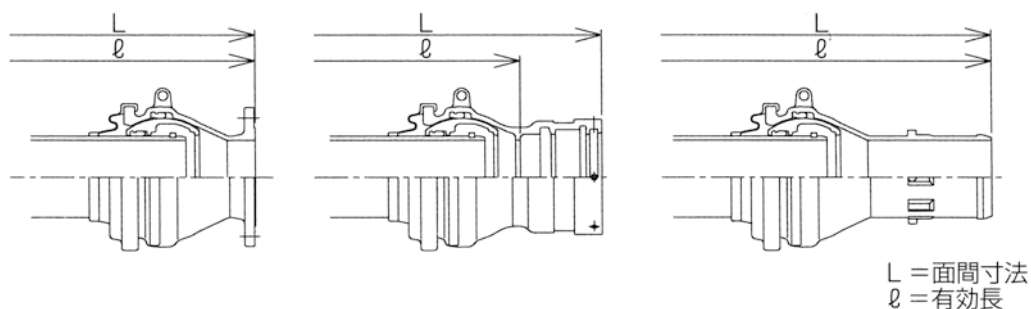
離脱防止性能A級  
(3DkN 以上)  
ノンボルトで軽量・コンパクト

呼び径	接合形式	価格 (円)			
		偏心量100mm	偏心量200mm	偏心量300mm	偏心量400mm
75	F×U	369,000	424,000	479,000	534,000
	F×S	332,000	387,000	442,000	497,000
	U×U	476,000	531,000	586,000	641,000
	U×S	439,000	494,000	549,000	604,000
	S×S	402,000	457,000	512,000	567,000
100	F×U	444,000	516,000	588,000	660,000
	F×S	404,000	476,000	548,000	620,000
	U×U	556,000	628,000	700,000	772,000
	U×S	516,000	588,000	660,000	732,000
	S×S	476,000	548,000	620,000	692,000
150	F×U	599,000	707,000	815,000	923,000
	F×S	554,000	662,000	770,000	878,000
	U×U	704,000	812,000	920,000	1,028,000
	U×S	659,000	767,000	875,000	983,000
	S×S	614,000	722,000	830,000	938,000
200	F×U	739,000	886,000	1,033,000	1,180,000
	F×S	715,000	862,000	1,009,000	1,156,000
	U×U	862,000	1,009,000	1,156,000	1,303,000
	U×S	838,000	985,000	1,132,000	1,279,000
	S×S	814,000	961,000	1,108,000	1,255,000
250	F×U	926,000	1,109,000	1,292,000	1,475,000
	F×S	875,000	1,058,000	1,241,000	1,424,000
	U×U	1,082,000	1,265,000	1,448,000	1,631,000
	U×S	1,031,000	1,214,000	1,397,000	1,580,000
	S×S	980,000	1,163,000	1,346,000	1,529,000

F=フランジ、U=受口 (NS形)、S=挿し口 (NS形)

※上記価格にはU=受口のみ接合用附属品を含んでおります。

# タイ・フレックス® (TF-80W) NS形

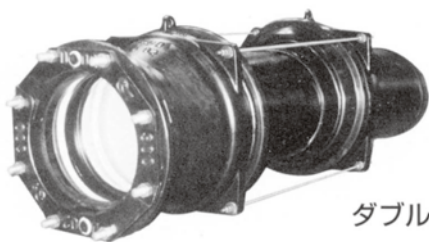


呼び径	接合形式	寸法 (mm)							
		偏心量100mm		偏心量200mm		偏心量300mm		偏心量400mm	
		L	l	L	l	L	l	L	l
75	F×U	684	530	954	800	1,234	1,080	1,504	1,350
	F×S	800	800	1,070	1,070	1,350	1,350	1,620	1,620
	U×U	758	450	1,038	730	1,308	1,000	1,588	1,280
	U×S	874	720	1,154	1,000	1,424	1,270	1,704	1,550
	S×S	1,000	1,000	1,270	1,270	1,550	1,550	1,820	1,820
100	F×U	734	570	1,024	860	1,314	1,150	1,604	1,440
	F×S	850	850	1,140	1,140	1,430	1,430	1,720	1,720
	U×U	828	500	1,118	790	1,408	1,080	1,698	1,370
	U×S	944	780	1,234	1,070	1,524	1,360	1,814	1,650
	S×S	1,050	1,050	1,340	1,340	1,640	1,640	1,920	1,920
150	F×U	790	620	1,100	930	1,410	1,240	1,720	1,550
	F×S	900	900	1,210	1,210	1,520	1,520	1,820	1,820
	U×U	900	560	1,210	870	1,510	1,170	1,820	1,480
	U×S	1,000	830	1,310	1,140	1,620	1,450	1,930	1,760
	S×S	1,110	1,110	1,420	1,420	1,730	1,730	2,030	2,030
200	F×U	858	680	1,188	1,010	1,508	1,330	1,838	1,660
	F×S	970	970	1,290	1,290	1,620	1,620	1,950	1,950
	U×U	956	600	1,286	930	1,616	1,260	1,936	1,580
	U×S	1,068	890	1,398	1,220	1,728	1,550	2,048	1,870
	S×S	1,180	1,180	1,510	1,510	1,840	1,840	2,160	2,160
250	F×U	908	730	1,258	1,080	1,608	1,430	1,948	1,770
	F×S	1,020	1,020	1,370	1,370	1,710	1,710	2,060	2,060
	U×U	1,006	650	1,356	1,000	1,706	1,350	2,056	1,700
	U×S	1,118	940	1,468	1,290	1,818	1,640	2,168	1,990
	S×S	1,230	1,230	1,580	1,580	1,930	1,930	2,280	2,280

※L=面間寸法、l=有効長は、7.5K・10Kフランジ仕様の寸法です。  
16K・20Kフランジ仕様のL、lはお問い合わせ願います。

# タイ・フレックス® (TF-80W) NS形

FCD製 伸縮可とう管



ダブル型

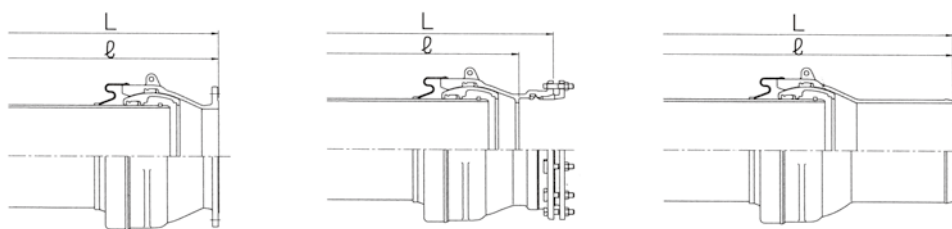
離脱防止性能A級  
(3DkN 以上)  
ノンボルトで軽量・コンパクト

呼び径	接合形式	価格 (円)			
		偏心量100mm	偏心量200mm	偏心量300mm	偏心量400mm
300	F×U	1,075,000	1,295,000	1,515,000	1,735,000
	F×S	1,000,000	1,220,000	1,440,000	1,660,000
	U×U	1,284,000	1,504,000	1,724,000	1,944,000
	U×S	1,209,000	1,429,000	1,649,000	1,869,000
	S×S	1,134,000	1,354,000	1,574,000	1,794,000
350	F×U	1,297,000	1,553,000	1,809,000	2,065,000
	F×S	1,202,000	1,458,000	1,714,000	1,970,000
	U×U	1,541,000	1,797,000	2,053,000	2,309,000
	U×S	1,446,000	1,702,000	1,958,000	2,214,000
	S×S	1,351,000	1,607,000	1,863,000	2,119,000
400	F×U	1,688,000	1,982,000	2,276,000	2,570,000
	F×S	1,551,000	1,845,000	2,139,000	2,433,000
	U×U	1,942,000	2,236,000	2,530,000	2,824,000
	U×S	1,805,000	2,099,000	2,393,000	2,687,000
	S×S	1,668,000	1,962,000	2,256,000	2,550,000
450	F×U	2,186,000	2,517,000	2,848,000	3,179,000
	F×S	2,040,000	2,371,000	2,702,000	3,033,000
	U×U	2,539,000	2,870,000	3,201,000	3,532,000
	U×S	2,393,000	2,724,000	3,055,000	3,386,000
	S×S	2,247,000	2,578,000	2,909,000	3,240,000

F=フランジ、U=受口 (NS形)、S=挿し口 (NS形)

※上記価格にはU=受口のみ接合用附属品を含んでおります。

# タイ・フレックス® (TF-80W) NS形



L = 面間寸法  
l = 有効長

呼び径	接合形式	寸法 (mm)							
		偏心量100mm		偏心量200mm		偏心量300mm		偏心量400mm	
		L	l	L	l	L	l	L	l
300	F×U	931	790	1,311	1,170	1,681	1,540	2,051	1,910
	F×S	1,170	1,170	1,550	1,550	1,920	1,920	2,290	2,290
	U×U	1,002	720	1,372	1,090	1,752	1,470	2,122	1,840
	U×S	1,241	1,100	1,621	1,480	1,991	1,850	2,361	2,220
	S×S	1,480	1,480	1,860	1,860	2,230	2,230	2,600	2,600
350	F×U	1,131	990	1,451	1,310	1,821	1,680	2,201	2,060
	F×S	1,370	1,370	1,690	1,690	2,070	2,070	2,440	2,440
	U×U	1,192	910	1,512	1,230	1,892	1,610	2,262	1,980
	U×S	1,441	1,300	1,761	1,620	2,141	2,000	2,511	2,370
	S×S	1,690	1,690	2,010	2,010	2,380	2,380	2,760	2,760
400	F×U	1,223	1,080	1,503	1,360	1,873	1,730	2,253	2,110
	F×S	1,460	1,460	1,740	1,740	2,120	2,120	2,490	2,490
	U×U	1,296	1,010	1,576	1,290	1,946	1,660	2,326	2,040
	U×S	1,543	1,400	1,823	1,680	2,193	2,050	2,573	2,430
	S×S	1,780	1,780	2,060	2,060	2,440	2,440	2,810	2,810
450	F×U	1,253	1,110	1,523	1,380	1,903	1,760	2,273	2,130
	F×S	1,500	1,500	1,780	1,780	2,150	2,150	2,530	2,530
	U×U	1,316	1,030	1,586	1,300	1,966	1,680	2,336	2,050
	U×S	1,573	1,430	1,843	1,700	2,223	2,080	2,593	2,450
	S×S	1,820	1,820	2,100	2,100	2,470	2,470	2,850	2,850

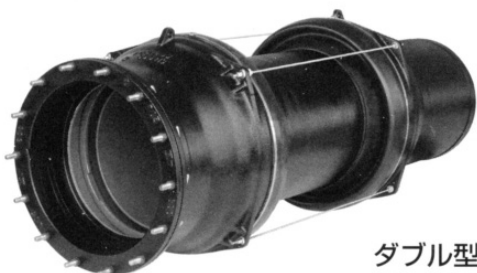
※呼び径300、350のL = 面間寸法、l = 有効長は、7.5K・10Kフランジ仕様の寸法です。

※呼び径400以上のL = 面間寸法、l = 有効長は、7.5Kフランジ仕様の寸法です。

10K・16K・20Kフランジ仕様のL、lはお問い合わせ願います。

# タイ・フレックス® (TF-80W) NS形

FCD製 伸縮可とう管



ダブル型

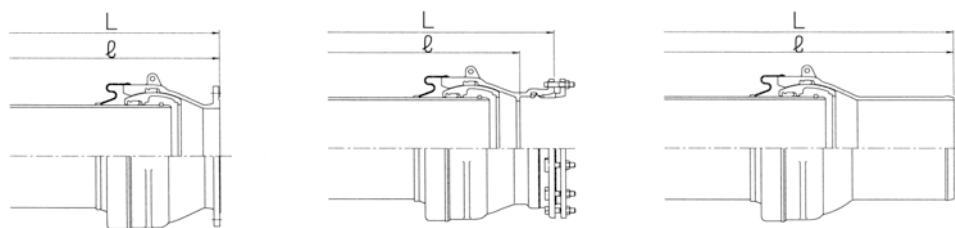
離脱防止性能A級  
(3DkN 以上)  
ノンボルトで軽量・コンパクト

呼び径	接合形式	価格 (円)			
		偏心量100mm	偏心量200mm	偏心量300mm	偏心量400mm
500	F×U	2,642,000	3,010,000	3,378,000	3,746,000
	F×S	2,323,000	2,691,000	3,059,000	3,427,000
	U×U	3,245,000	3,613,000	3,981,000	4,349,000
	U×S	2,926,000	3,294,000	3,662,000	4,030,000
	S×S	2,607,000	2,975,000	3,343,000	3,711,000
600	F×U	3,351,000	3,794,000	4,237,000	4,680,000
	F×S	2,975,000	3,418,000	3,861,000	4,304,000
	U×U	4,051,000	4,494,000	4,937,000	5,380,000
	U×S	3,675,000	4,118,000	4,561,000	5,004,000
	S×S	3,299,000	3,742,000	4,185,000	4,628,000
700	F×U		6,243,000	6,760,000	7,277,000
	F×S		5,671,000	6,188,000	6,705,000
	U×U		7,178,000	7,695,000	8,212,000
	U×S		6,606,000	7,123,000	7,640,000
	S×S		6,034,000	6,551,000	7,068,000
800	F×U		7,354,000	7,948,000	8,542,000
	F×S		6,877,000	7,471,000	8,065,000
	U×U		8,549,000	9,143,000	9,737,000
	U×S		8,072,000	8,666,000	9,260,000
	S×S		7,595,000	8,189,000	8,783,000
900	F×U		9,171,000	9,839,000	10,507,000
	F×S		8,407,000	9,075,000	9,743,000
	U×U		10,706,000	11,374,000	12,042,000
	U×S		9,942,000	10,610,000	11,278,000
	S×S		9,178,000	9,846,000	10,514,000
1000	F×U		14,020,000	14,766,000	15,512,000
	F×S		12,984,000	13,730,000	14,476,000
	U×U		16,250,000	16,996,000	17,742,000
	U×S		15,214,000	15,960,000	16,706,000
	S×S		14,178,000	14,924,000	15,670,000

F=フランジ、U=受口 (NS形)、S=挿し口 (NS形)

※上記価格にはU=受口のみ接合用附属品を含んでおります。

# タイ・フレックス® (TF-80W) NS形



L = 面間寸法  
ℓ = 有効長

呼び径	接合形式	寸法 (mm)							
		偏心量100mm		偏心量200mm		偏心量300mm		偏心量400mm	
		L	ℓ	L	ℓ	L	ℓ	L	ℓ
500	F×U	1,361	1,210	1,581	1,420	1,971	1,820	2,351	2,200
	F×S	1,820	1,820	2,050	2,050	2,430	2,430	2,820	2,820
	U×U	1,432	1,130	1,652	1,350	2,042	1,740	2,422	2,120
	U×S	1,891	1,740	2,121	1,970	2,501	2,350	2,891	2,740
	S×S	2,360	2,360	2,580	2,580	2,970	2,970	3,350	3,350
600	F×U	1,441	1,290	1,641	1,490	2,031	1,880	2,411	2,260
	F×S	1,890	1,890	2,100	2,100	2,480	2,480	2,870	2,870
	U×U	1,512	1,210	1,722	1,420	2,102	1,800	2,492	2,190
	U×S	1,971	1,820	2,171	2,020	2,561	2,410	2,941	2,790
	S×S	2,420	2,420	2,630	2,630	3,010	3,010	3,400	3,400
700	F×U			1,827	1,640	2,197	2,010	2,577	2,390
	F×S			2,340	2,340	2,710	2,710	3,080	3,080
	U×U			1,924	1,550	2,294	1,920	2,664	2,290
	U×S			2,437	2,250	2,807	2,620	3,177	2,990
	S×S			2,940	2,940	3,320	3,320	3,690	3,690
800	F×U			2,035	1,840	2,305	2,110	2,675	2,480
	F×S			2,380	2,380	2,660	2,660	3,030	3,030
	U×U			2,130	1,740	2,400	2,010	2,780	2,390
	U×S			2,475	2,280	2,755	2,560	3,125	2,930
	S×S			2,830	2,830	3,100	3,100	3,480	3,480
900	F×U			2,095	1,900	2,485	2,290	2,875	2,680
	F×S			2,470	2,470	2,860	2,860	3,250	3,250
	U×U			2,170	1,780	2,560	2,170	2,950	2,560
	U×S			2,545	2,350	2,935	2,740	3,325	3,130
	S×S			2,920	2,920	3,310	3,310	3,700	3,700
1000	F×U			2,152	1,950	2,542	2,340	2,922	2,720
	F×S			2,440	2,440	2,830	2,830	3,220	3,220
	U×U			2,214	1,810	2,604	2,200	2,994	2,590
	U×S			2,512	2,310	2,902	2,700	3,282	3,080
	S×S			2,800	2,800	3,190	3,190	3,580	3,580

※L = 面間寸法、ℓ = 有効長は、7.5Kフランジ仕様の寸法です。  
10K・16K・20Kフランジ仕様のL、ℓはお問い合わせ願います。